



Kentec Electronics Ltd.

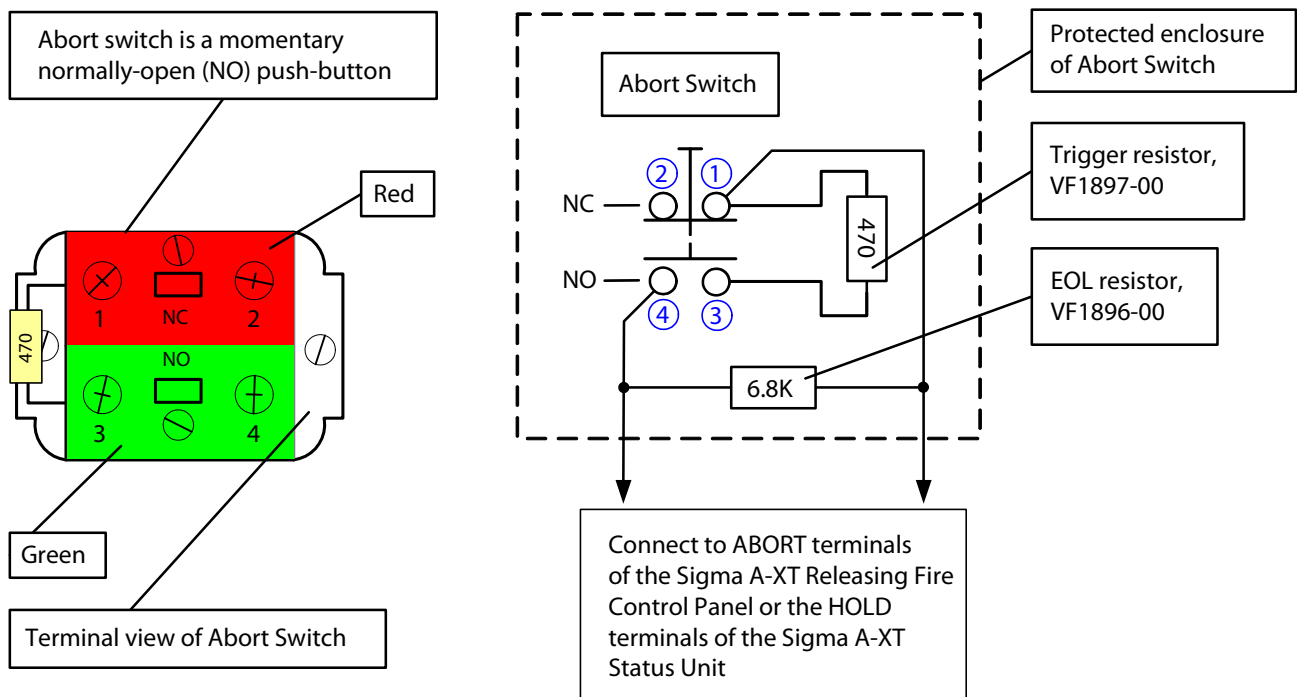
Wiring Diagram: Sigma A-XT Abort Switch Connections for all K1823 models

The operation of this product is intended for indoor use only.

The wiring diagram below illustrates connections for all K1823 models of the Sigma A-XT Abort Switch:

Wiring Diagram 1-1

Sigma A-XT Abort Switch Connections



Reference the following documentation for installing, operating and configuring this device with the Sigma A-XT Releasing Fire Control Panel:

- *Installation and Operation Manual of the Sigma A-XT Releasing Fire Control Panel, Man-1146 (K1812-00), Rev. E01.XX*
- *Wiring Diagram of the Sigma A-XT Ancillary Board Man-1150 (K1828-00), Rev. E01.XX*
- *Wiring Diagram of the Sigma A-XT Status Units, Man-1149 (K18290-00), Rev. E01.XX*

If You Need Help

If you need technical support contact Kentec at +44(0)1322 222121 or e-mail techsupport@kentec.co.uk.

Kentec technical support is available Monday through Friday, 8:00 AM to 5:00 PM and Saturday 8:00 AM to 12:00 PM.

