

Audio Visual Indicator Units

K24000 Series

Operation Manual

Man-1137 Issue 03 February 2012



Overview

The K24000 audio visual indicator units are robust and compact devices which can be used to fulfil a variety of alarm and indication needs for fire alarm or other 24V DC systems.

K24100-M10 and K24110-M10 units are fitted with red indicators and are intended to provide an audible and visual Fire alarm indication when supplied with a nominal 24V DC from a fire alarm circuit. The K24110-M10 unit has a keyswitch which enables the audible alarm to be silenced.

The standard label fitted to these units describes the unit as a FIRE alarm however, this can be easily changed and a customised label fitted. A template and instructions for creating customised labels is available at <http://www.kentec.co.uk/audio.doc>.

K24200-M10 and K24210-M10 units are fitted with yellow indicators and are intended to provide an audible and visual indication for any other condition than a fire alarm, such as a PLANT ISOLATED indication. The K24200-M10 unit requires a switched 24V DC supply applied when the indication is required.

The K24210-M10 unit requires a permanent 24V DC supply and will indicate when the keyswitch is operated. The keyswitch also operates a volt free contact accessible at terminals mounted to the PCB which is available to control other systems.

All units can be configured such that the internal buzzer can be disabled.

The models available are as follows:

K24100-M10	Red fire alarm indicator
K24110-M10	Red fire alarm indicator with buzzer silence keyswitch
K24200-M10	Yellow alarm indicator
K24210-M10	Yellow indicator with keyswitch control

A flushing collar to fit a standard single gang deep flush box is also available part number M10FLCLGT.

Technical specifications

Operating voltage – 18 to 30 V DC

Current consumption – 25 milliamps (at 24V with buzzer sounding)

Size – 97mm X 97mm x 58mm

Construction – 1.2mm fully welded sheet steel

Finish – Epoxy powder coated

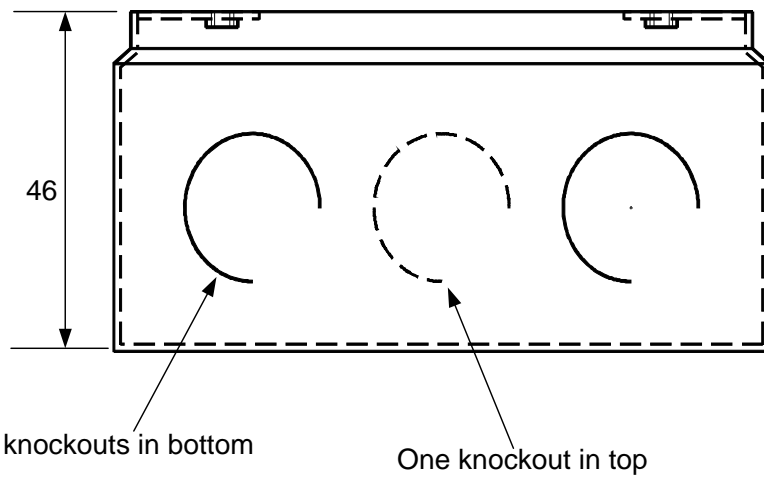
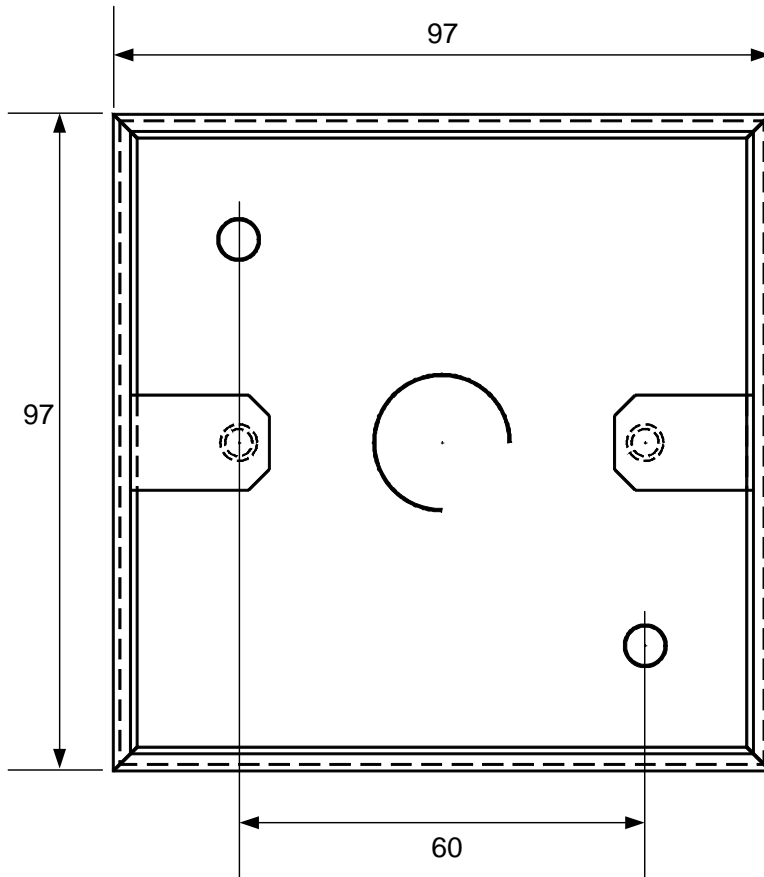
Colour – BS 00 A 05

Operating temperature - -5 to + 50 degrees centigrade

Terminal capacity – 2.5mm²

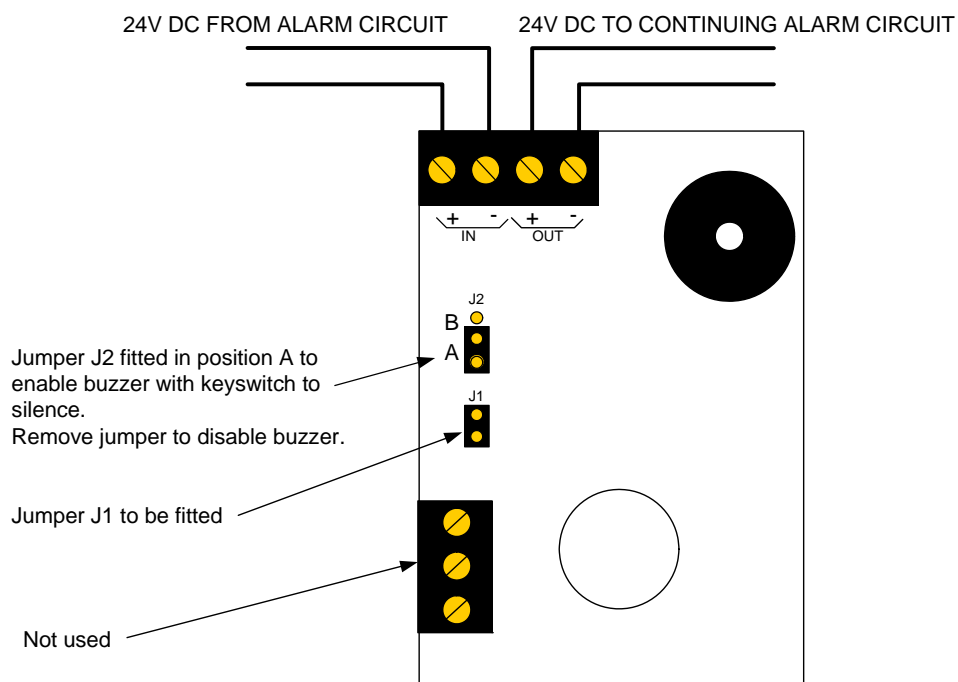
Volt free contact rating – 30V DC 1 Amp maximum

Keyswitch – standard 901 key



Back box detail

CONFIGURATION FOR ALARM INDICATOR UNIT WITH OR WITHOUT BUZZER SILENCE KEYSWITCH - K24100-M10 AND K24110-M10



CONFIGURATION FOR INDICATOR UNIT WITH KEYSWITCH CONTROL K24210-M10

