

# Remote Indicator Unit **NEW!**

## Remote Fire Detector Indicator Units

### Features

- High brightness red LED indicators for reliability and low power consumption
- Wide viewing angle
- LEDs flash alternately to easily attract attention
- Units to fit to standard gang or round electrical back boxes
- Compatible with conventional and addressable detectors
- Printed with "FIRE ALARM IN CONCEALED SPACE" as standard
- Custom printing and languages available on request

### Product Overview

- The K24000 Remote Indicator LED Units allow the LED associated with a fire detector to be extended to a visible location in areas where the detector itself is concealed.
- Two bright, alternately flashing LED indicators with wide angle diffusers ensure that the indicators are immediately visible in any sized room.
- Special ceiling mounting clip available.
- Fixing screws supplied with each unit.
- The round version fits into a BESA box and the square version fits into a standard electrical single gang back box.
- Connections for both conventional and addressable detectors.

### Ceiling Mounting Clip Product Overview

- Our new and unique ceiling mounting clip provides fast and secure fixing of our round Remote Indicator unit to ceilings.
- Particularly good for fragile ceilings such as suspended ceilings.



Model No. K24000



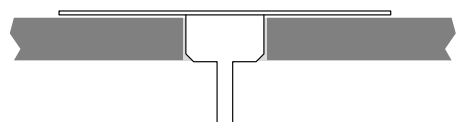
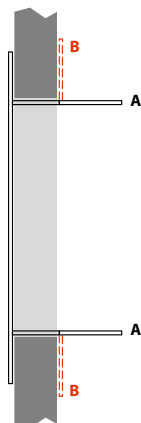
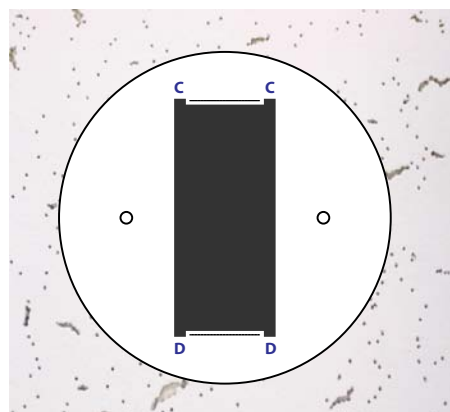
Model No. K24001

## Panels

Product Code	Description	Size (mm)
K24000	Round Remote Indicator	85 x 85 x 30
K24001	Square Remote Indicator	85 x 85 x 30
M24000	Ceiling Mounting Clip (fits Round Remote Indicator only)	85 x 85 x 30

## Technical

<b>Construction</b>	- 1.5mm mild sheet steel
<b>IP Rating</b>	- IP40
<b>Finish</b>	- Epoxy powder coated
<b>Colour</b>	- White
<b>Current Consumption</b>	- 20 milliamps max at 24V DC
<b>Operating temperature</b>	- -5°C to +50°C
<b>Operating humidity</b>	- <95% (non condensing)
<b>Voltage</b>	- 15 to 30V DC

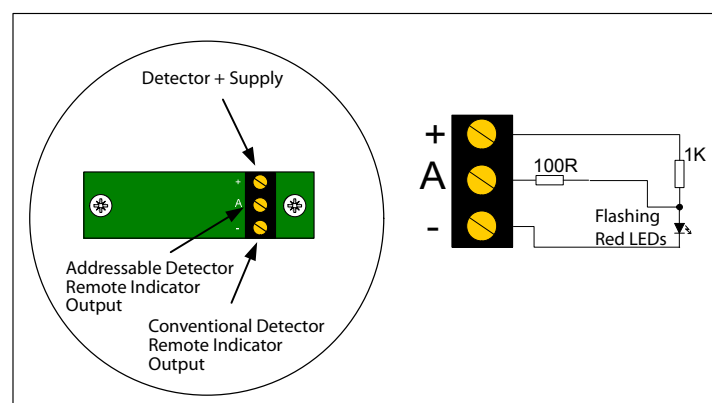


### Ceiling Mounting Clip M24000\* Fixing Details

- Make a hole in the ceiling using the most suitable method below:
  - Using a standard 64mm diameter hole saw.
  - Use an open ended saw to cut a 62mm X 28mm slot.
  - If fixing to a ceiling tile, gently push the clip through the tile and use a stanley knife to cut between points C and D (both sides).
- Fold back the two tabs marked A into position B, locking the ceiling clip into position.
- Use the 2 self tapping screws provided to fit the Remote Lamp plate.

## Connection Details

Always refer to the detector manufacturers detector base instructions before connecting the K24000 Remote Indicator Unit and only use the connections described. Remote indicators that are not connected as per the instructions may cause the detector to be inoperative.



\* Fits Round Remote Indicator Only (K24000)